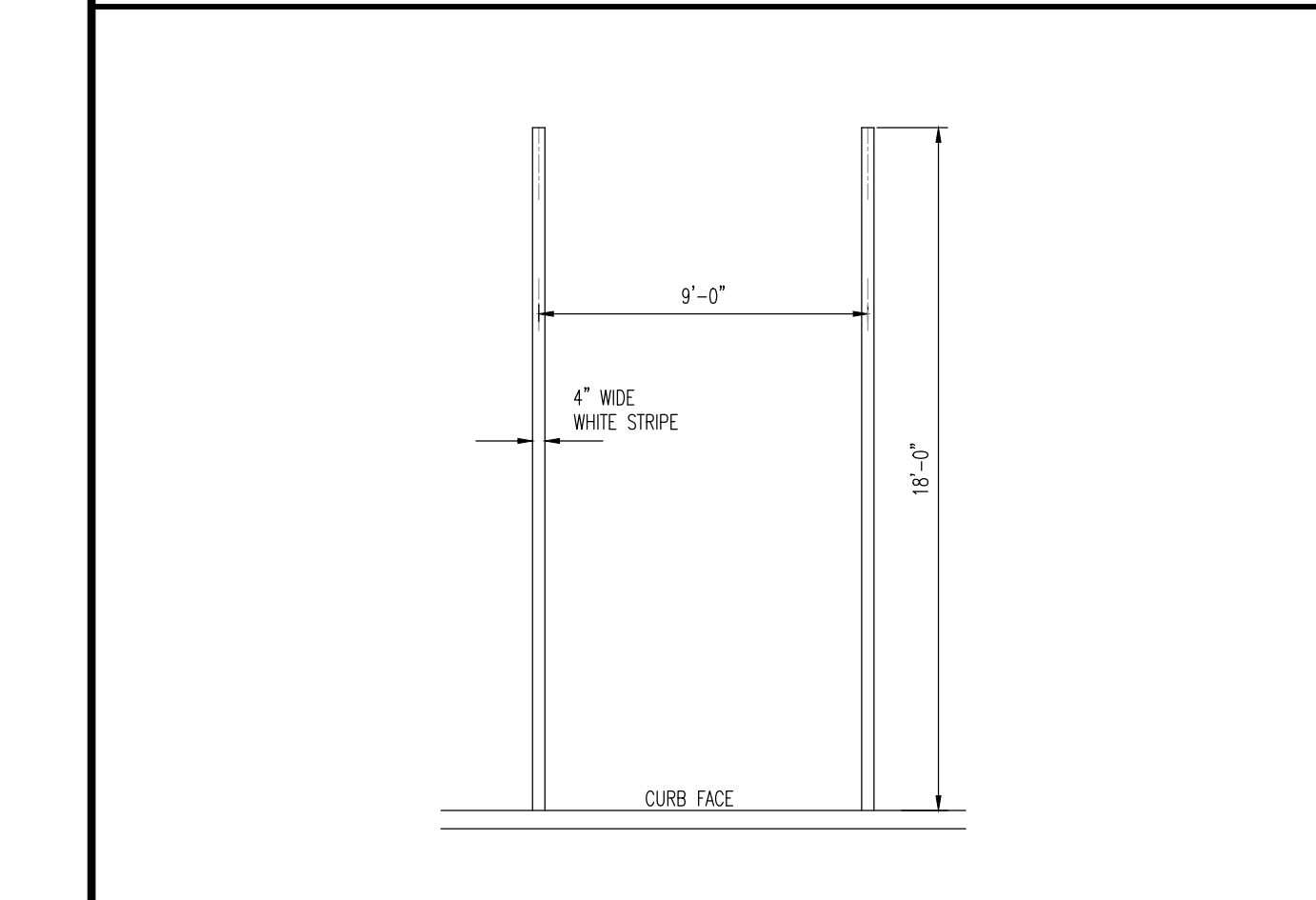
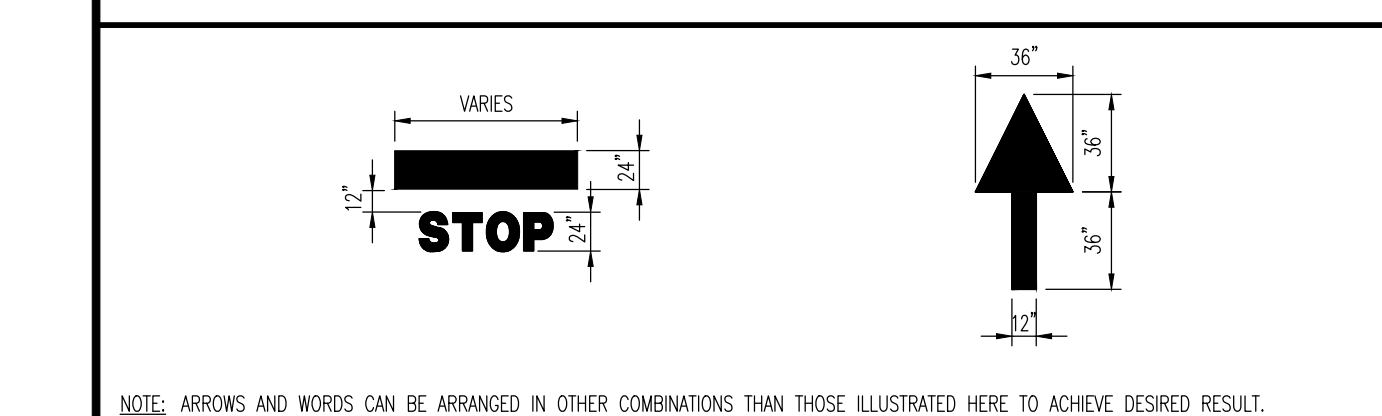


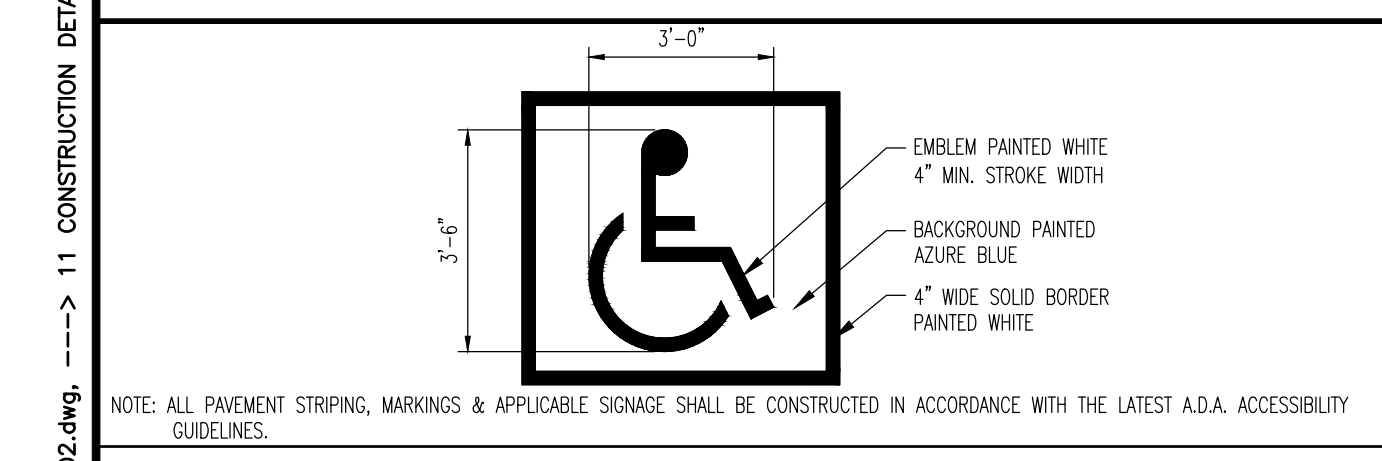
**6" BOLLARD DETAIL**  
NOT TO SCALE



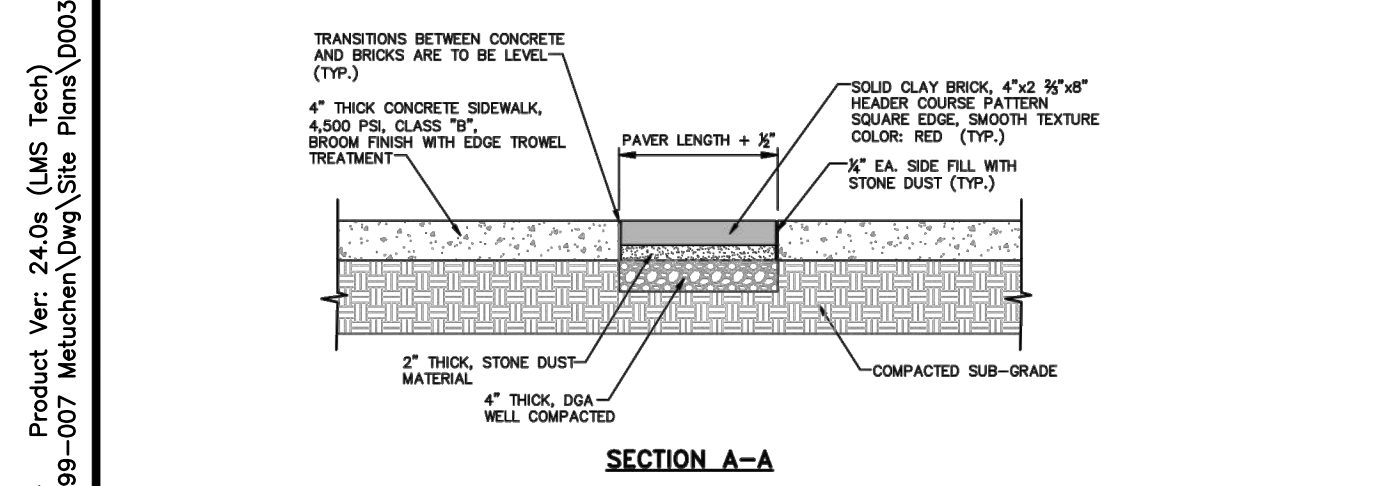
**PARKING STALL STRIPING DETAIL**  
NOT TO SCALE



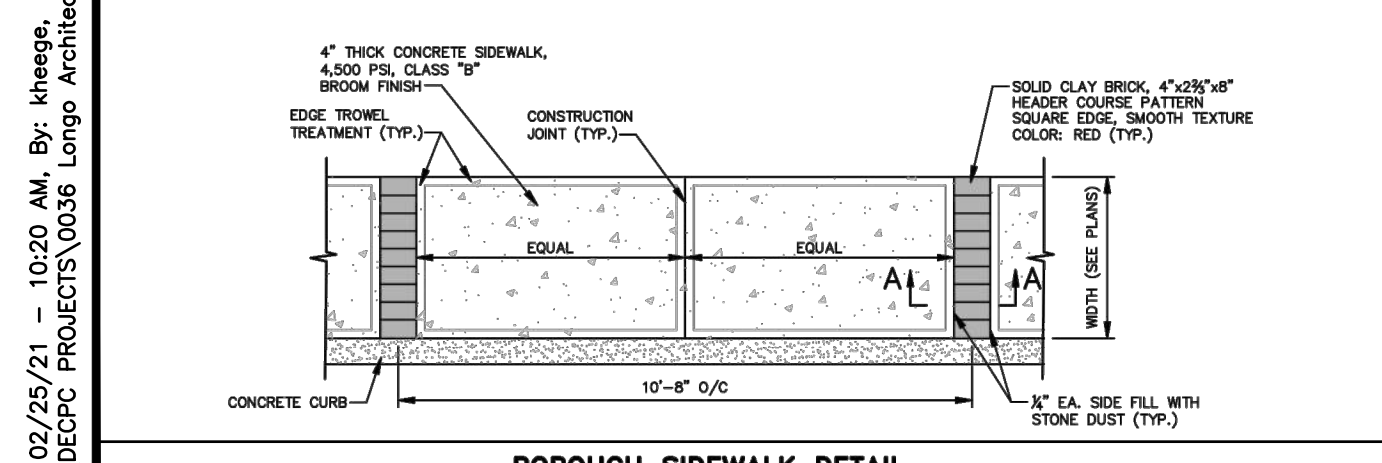
**PAINTED MARKING DETAILS**  
NOT TO SCALE



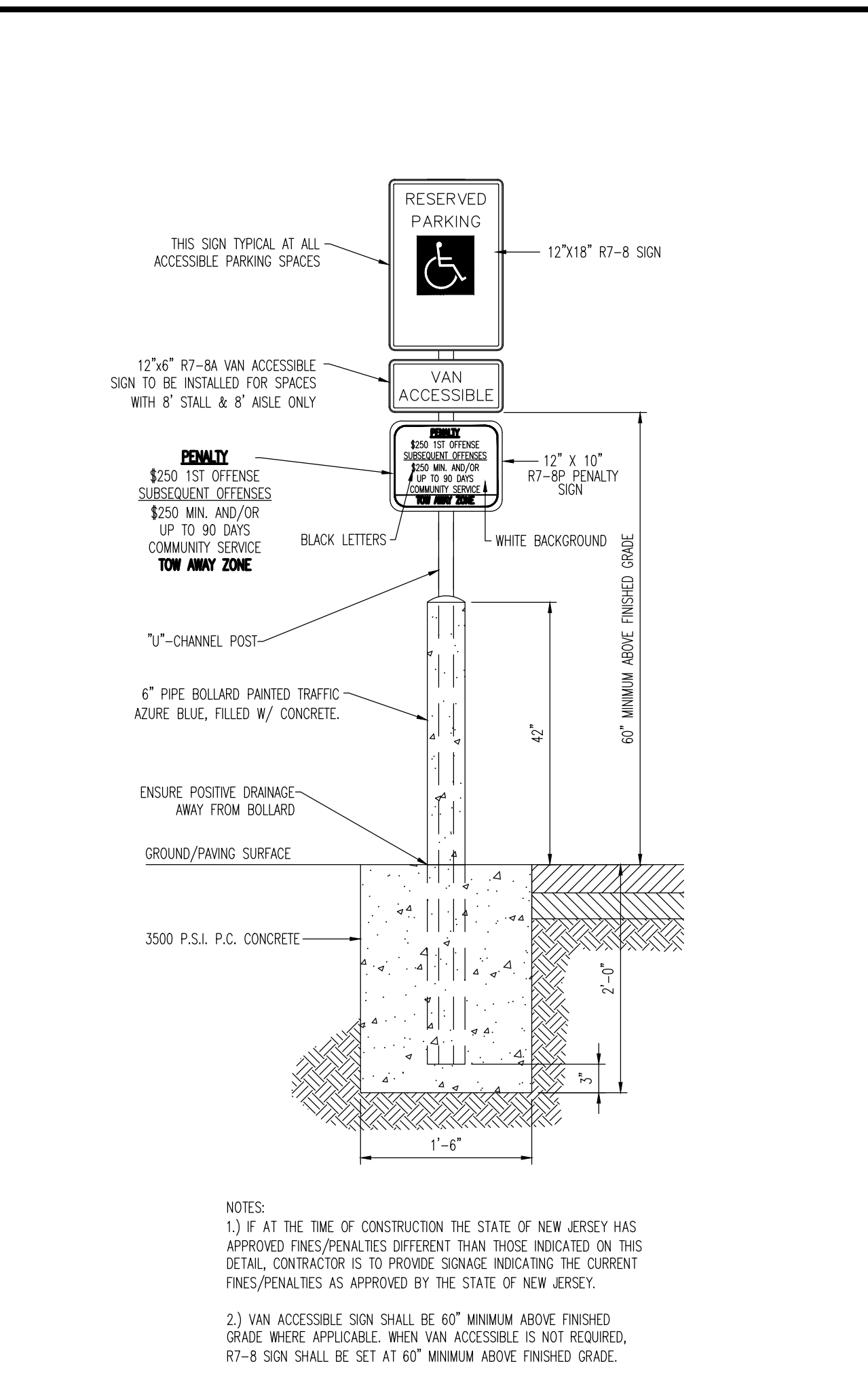
**PAINTED A.D.A. PARKING SYMBOL DETAIL**  
NOT TO SCALE



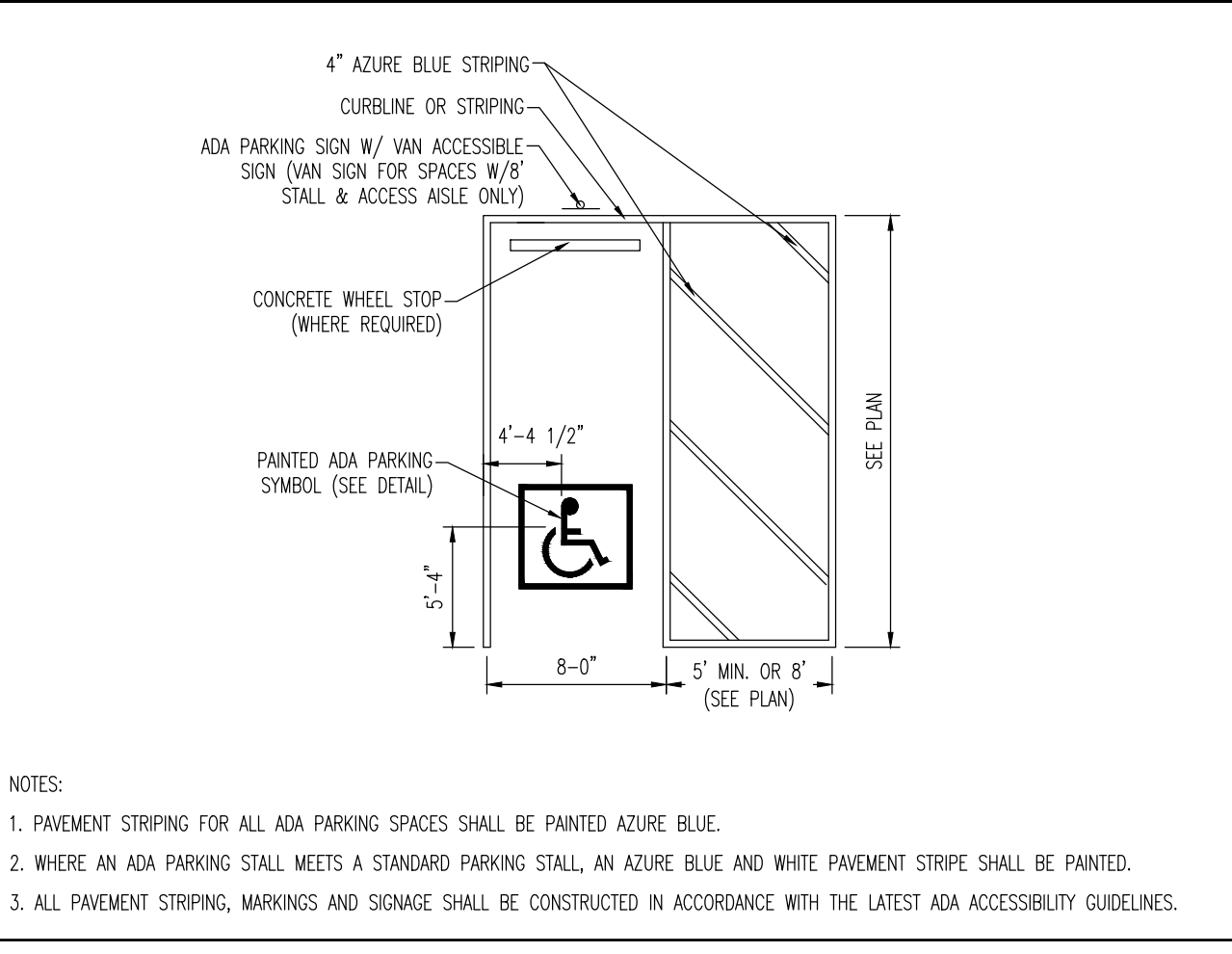
**BOROUGH SIDEWALK DETAIL**



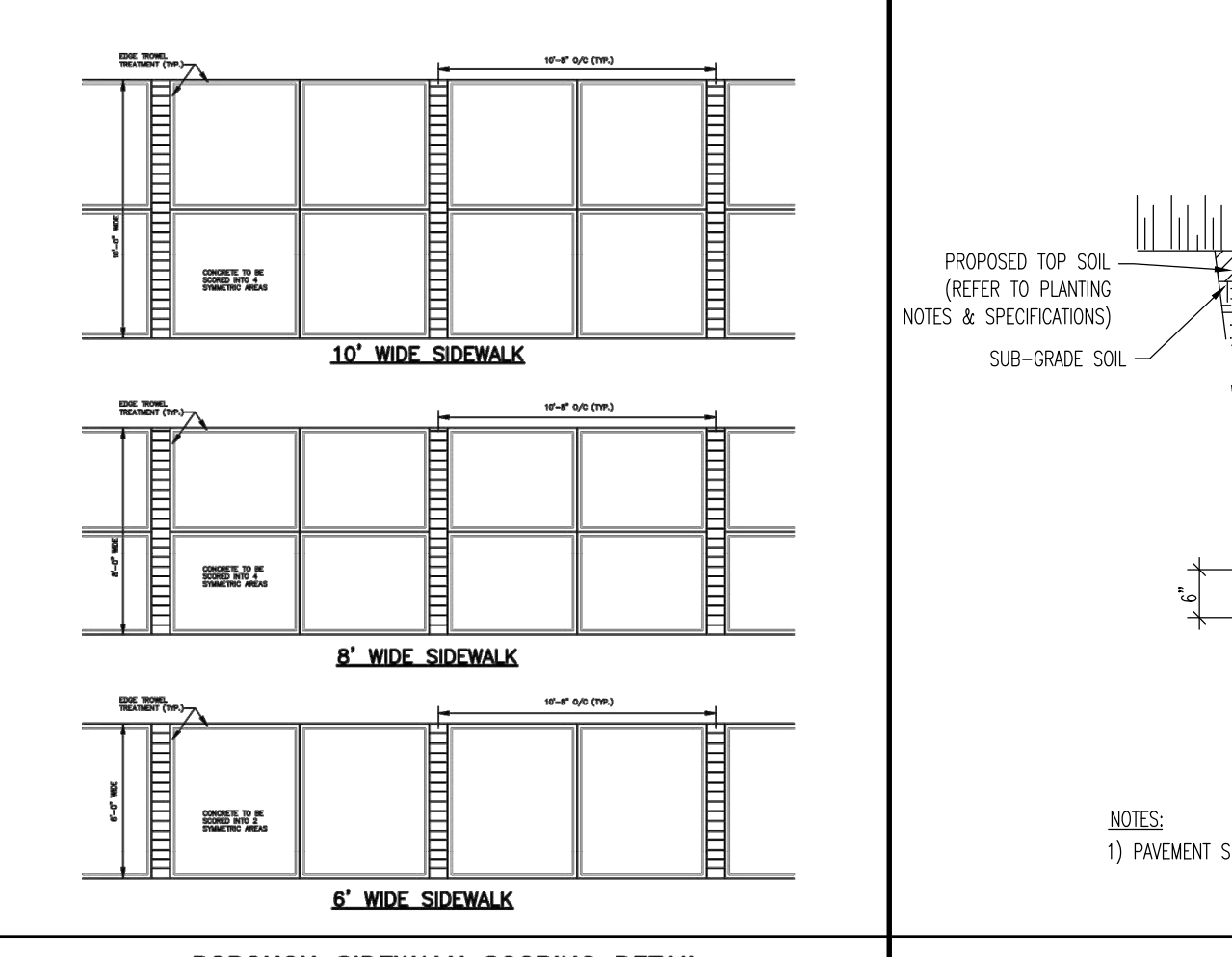
**BOROUGH SIDEWALK SCORING DETAIL**



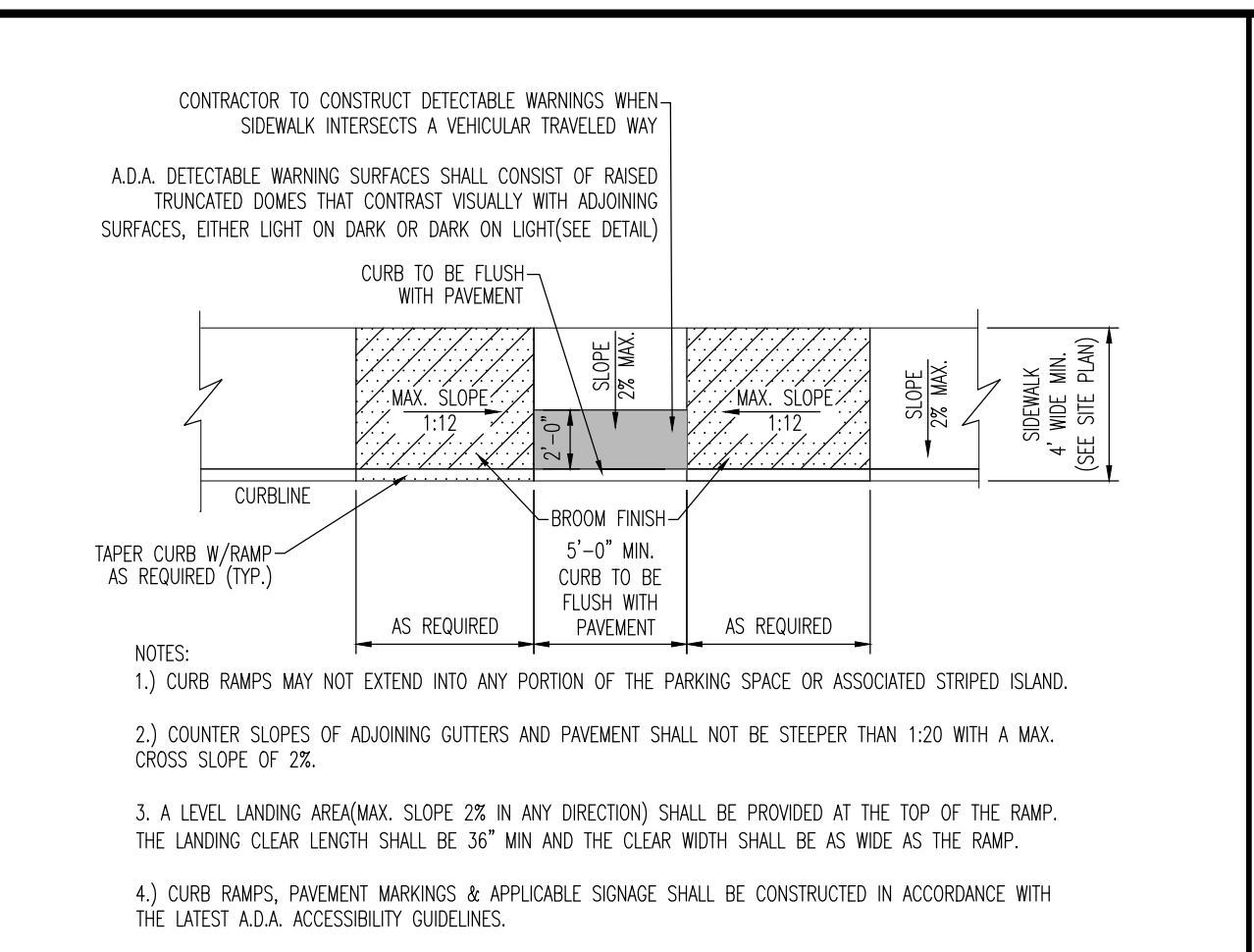
**A.D.A. PARKING SIGN ON BOLLARD DETAIL**  
NOT TO SCALE



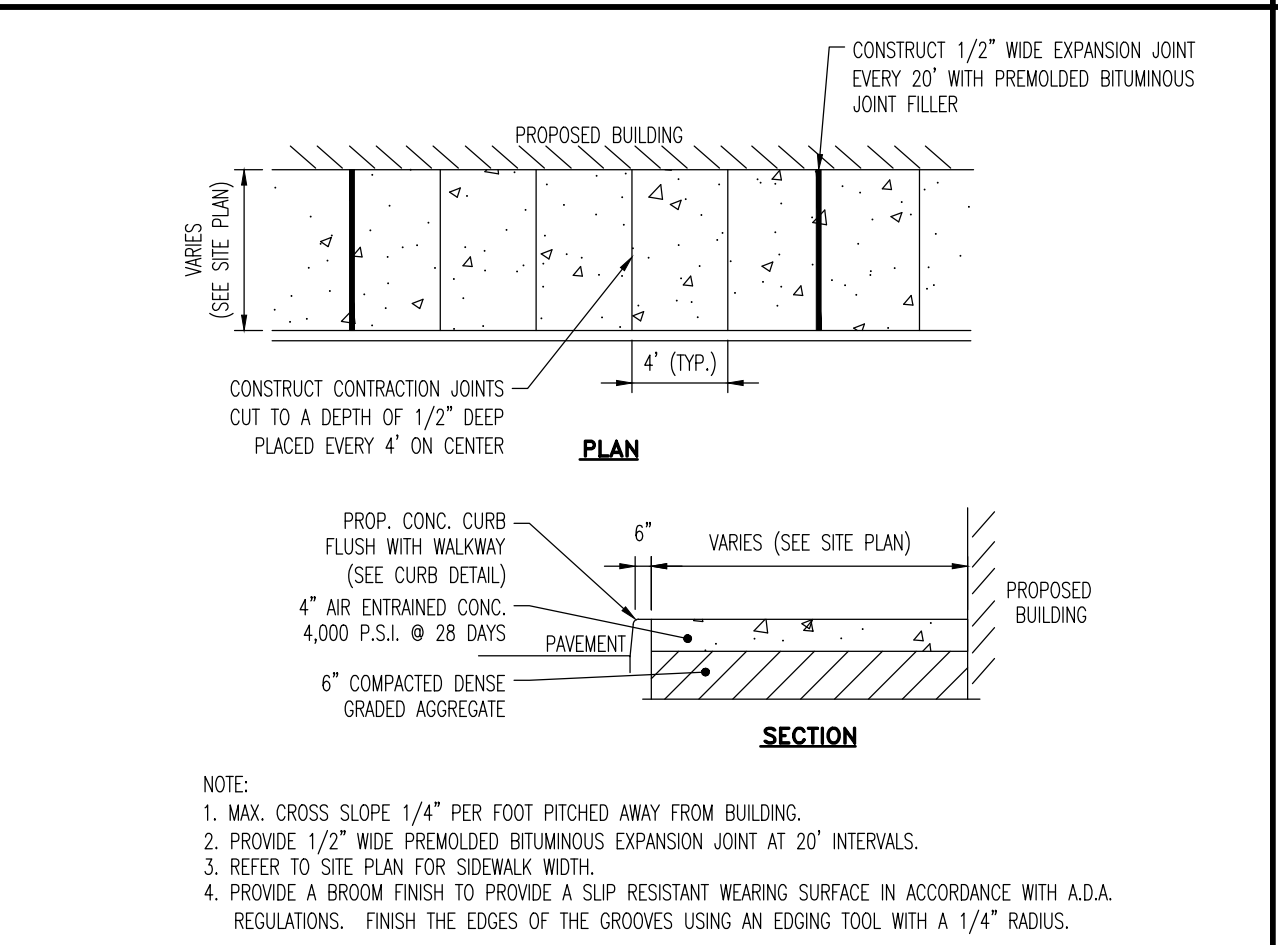
**ADA STALL MARKINGS DETAIL**  
NOT TO SCALE



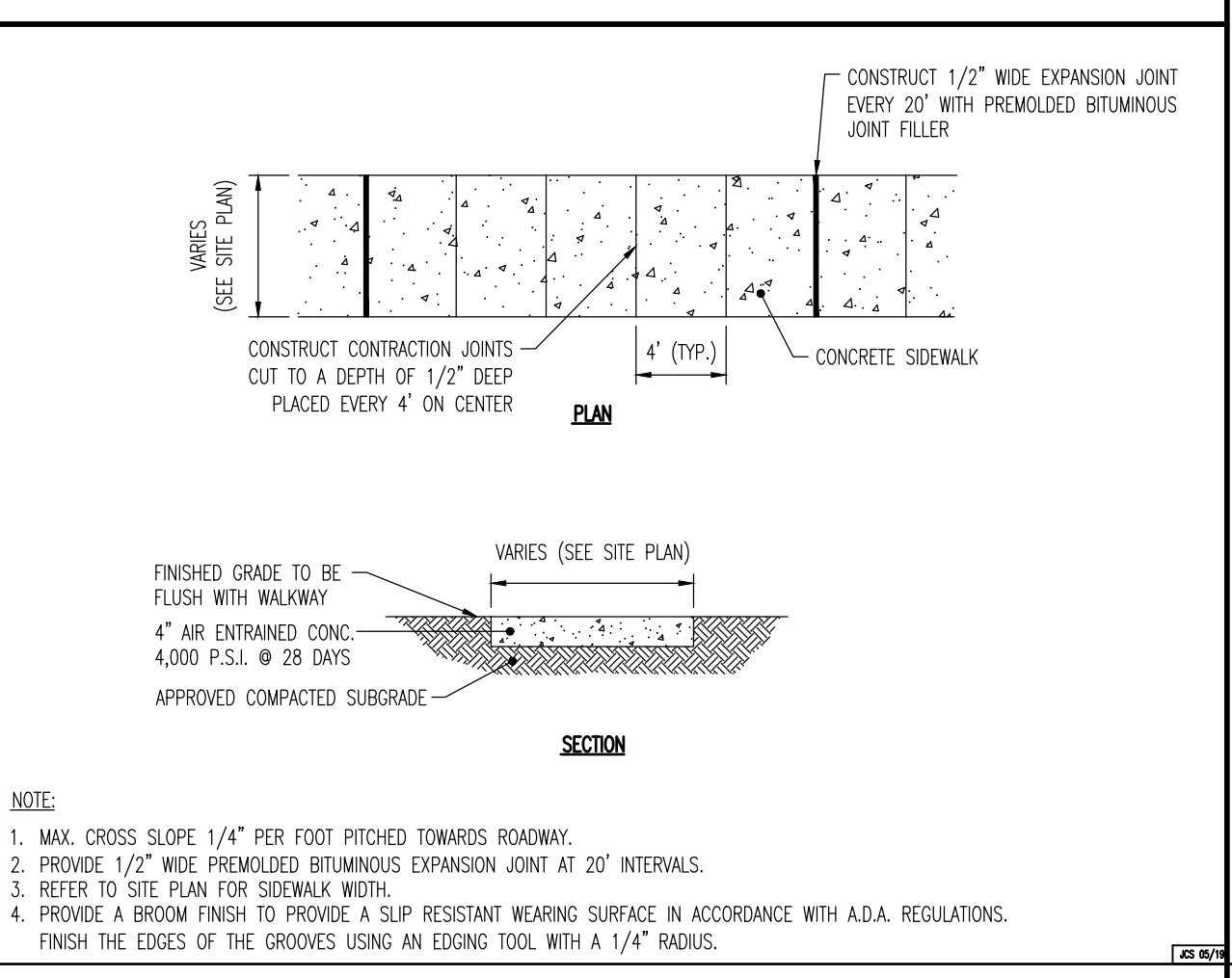
**BOROUGH SIDEWALK SCORING DETAIL**



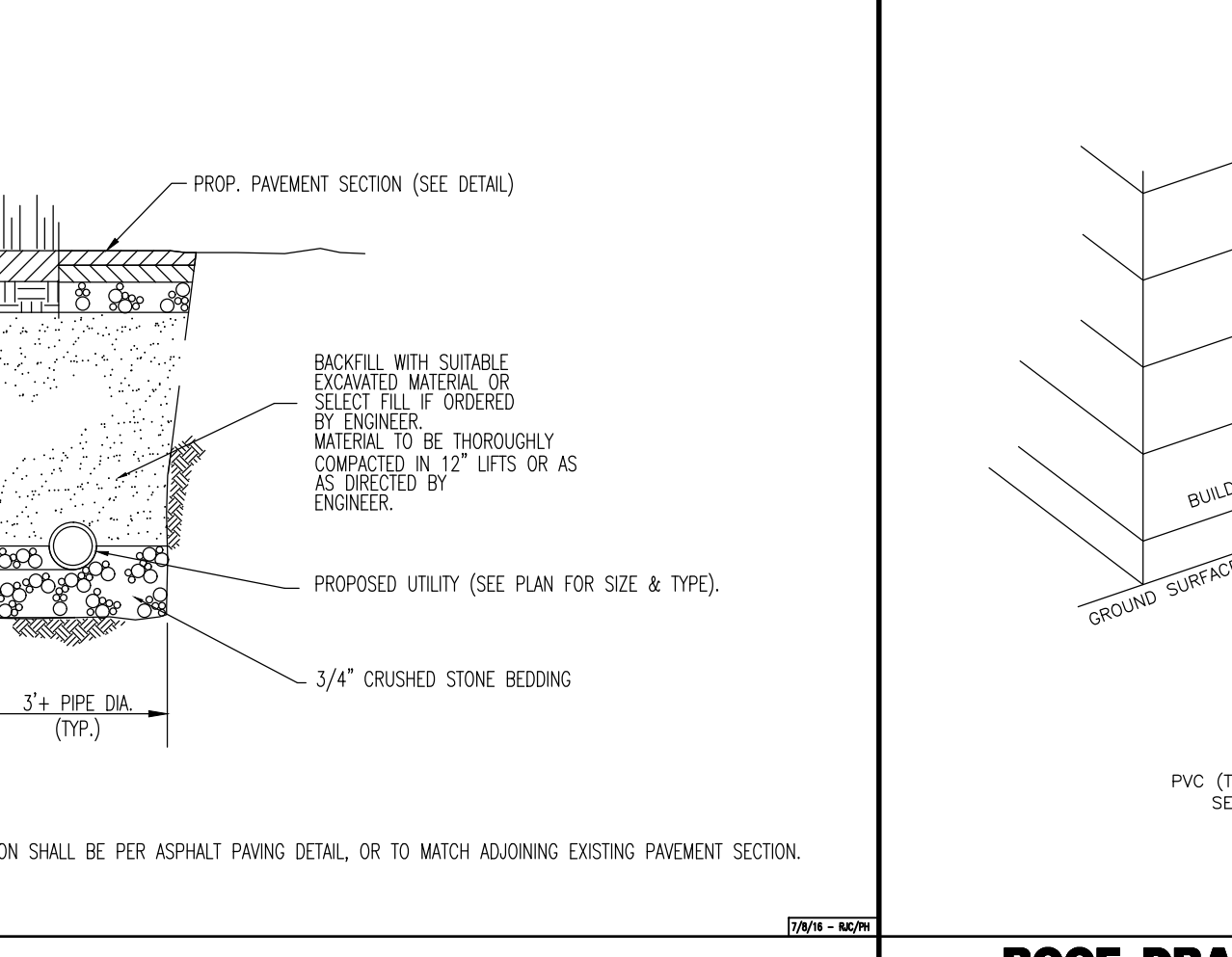
**A.D.A. PARALLEL CURB RAMP DETAIL**  
NOT TO SCALE



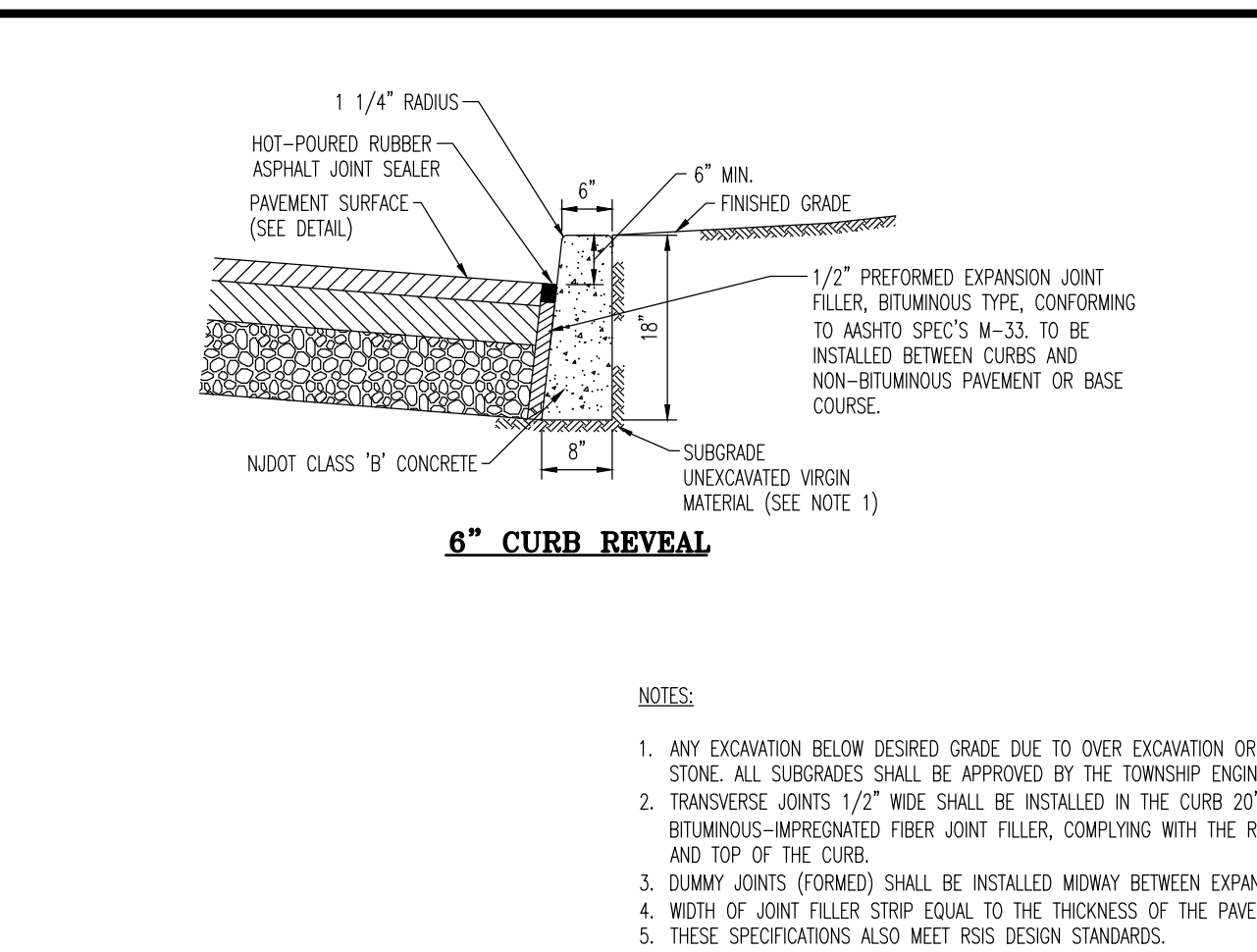
**CURB AND WALK DETAIL AT BUILDING**  
NOT TO SCALE



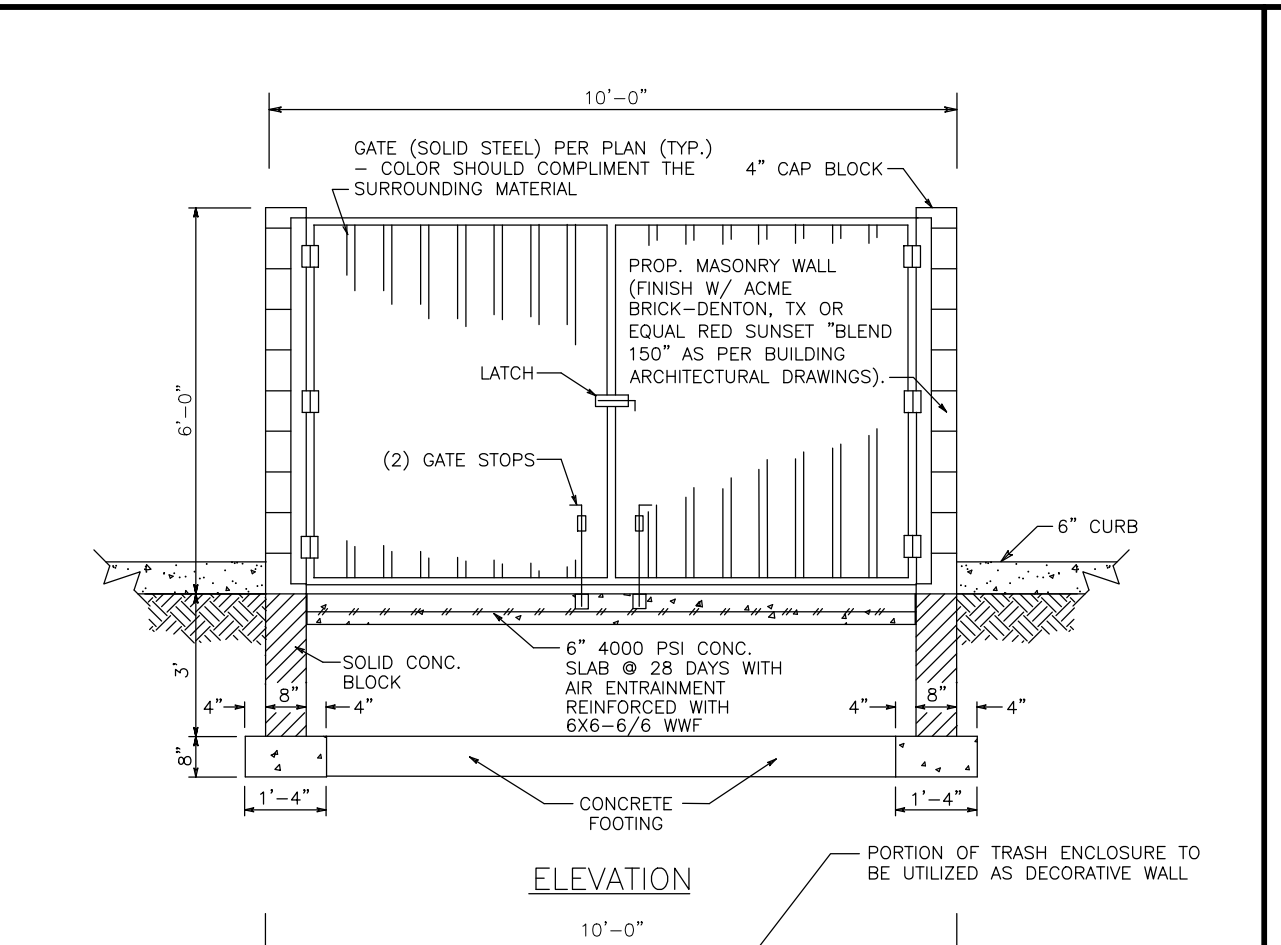
**SIDEWALK DETAIL**  
NOT TO SCALE



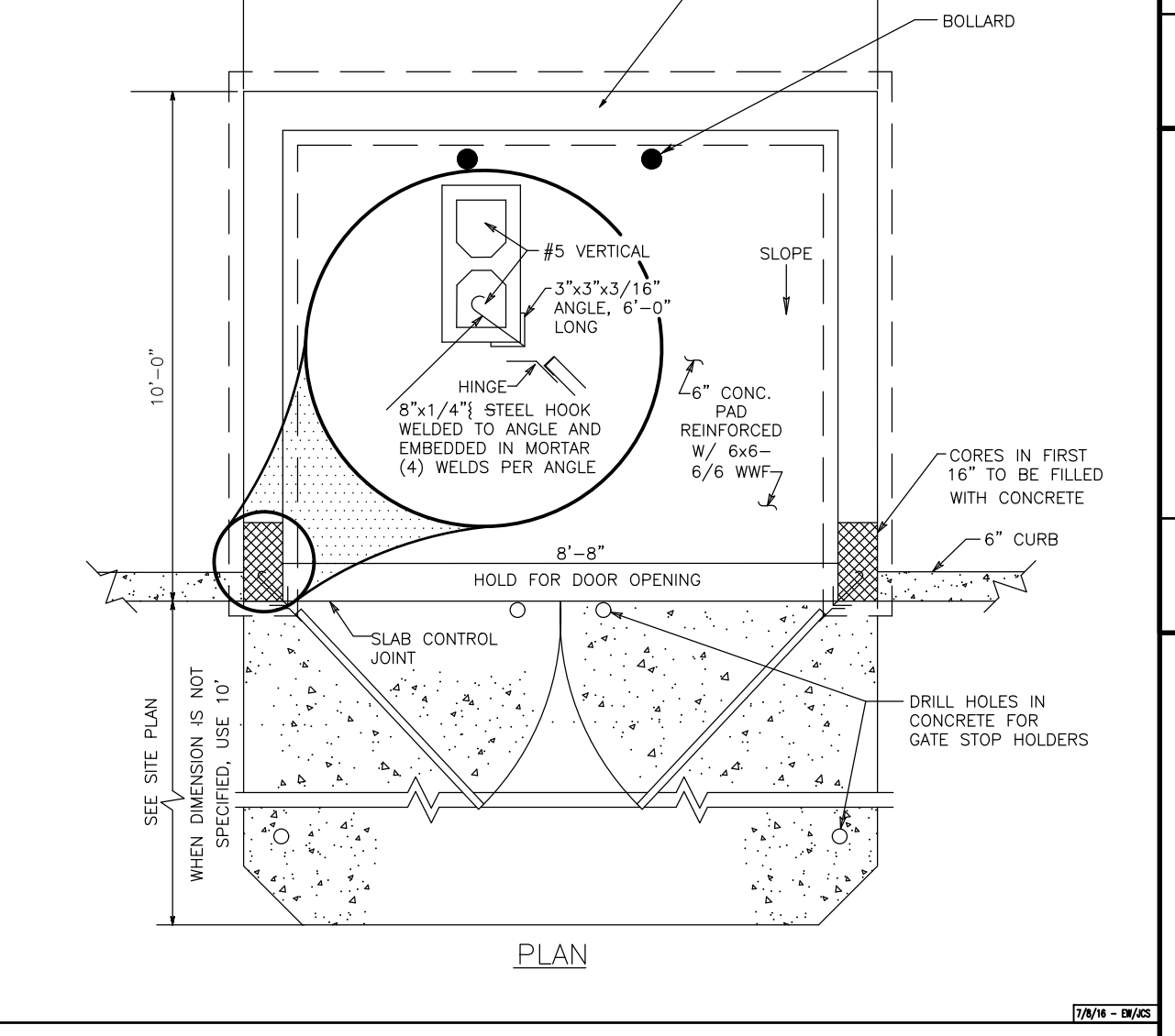
**UTILITY SERVICE TRENCH DETAIL**  
NOT TO SCALE



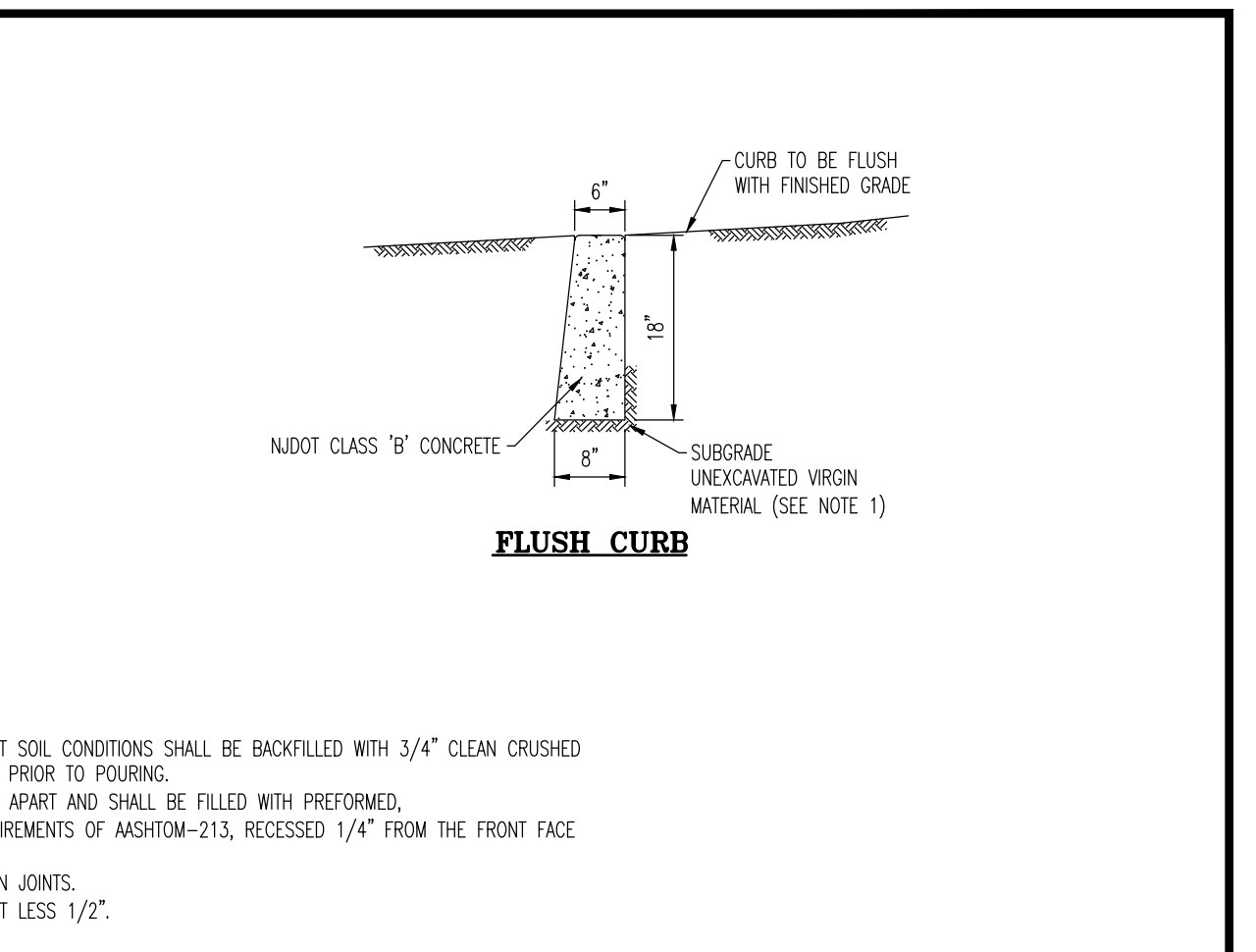
**6" CURB REVEAL**



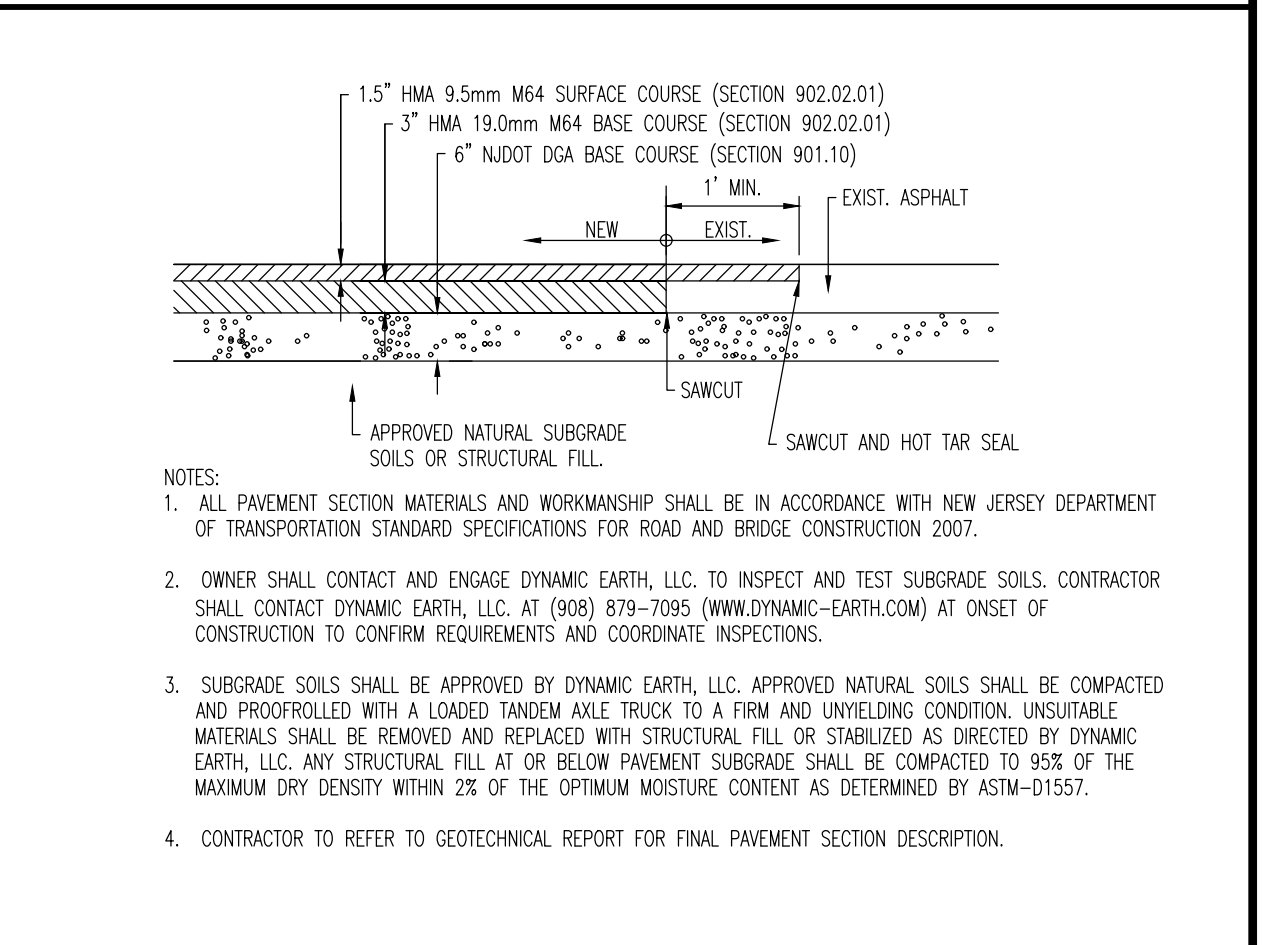
**CONCRETE CURB DETAIL**  
NOT TO SCALE



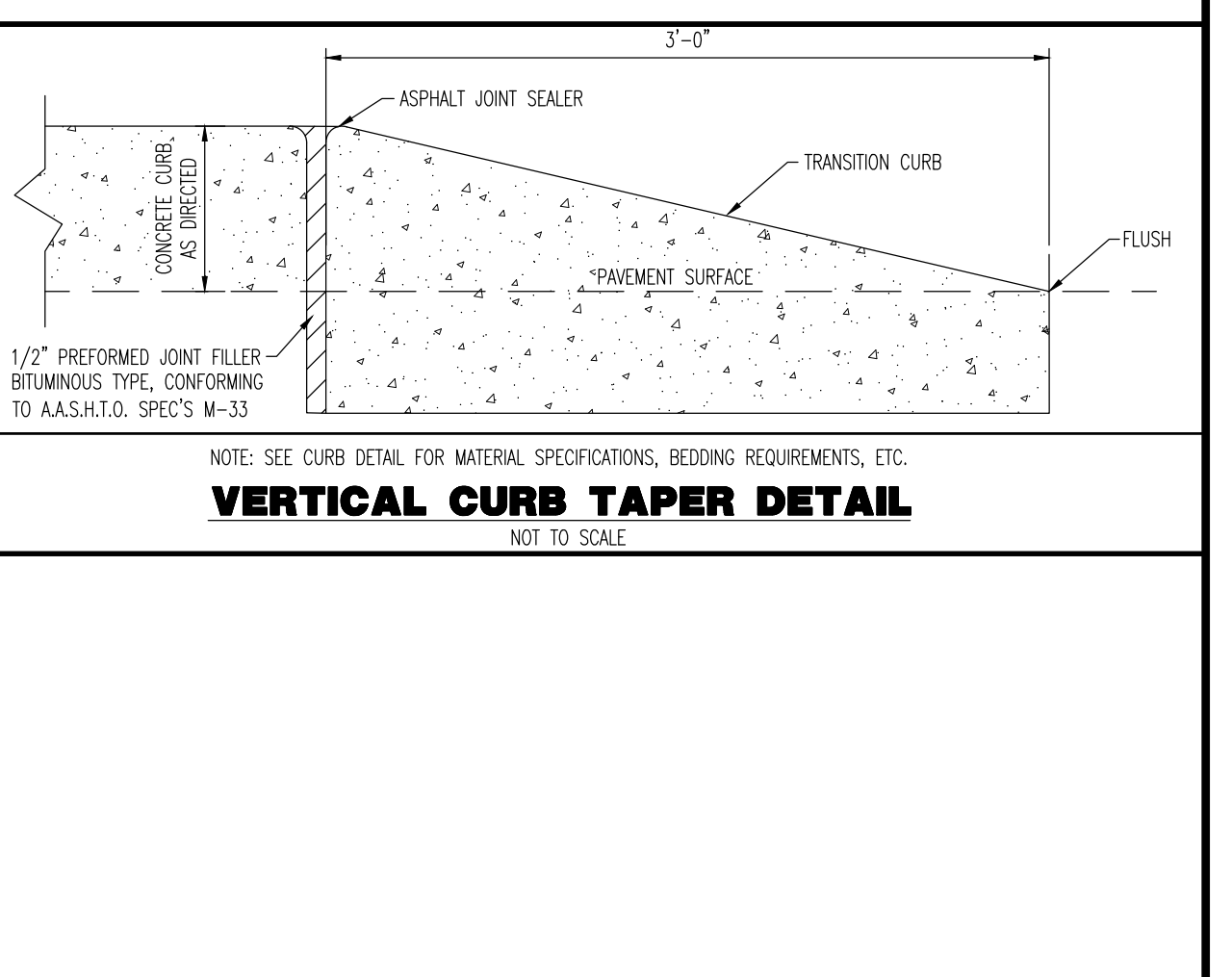
**TRASH ENCLOSURE WITH SELF-CLOSING GATE DETAIL**  
NOT TO SCALE



**FLUSH CURB**



**PAVING DETAIL**  
NOT TO SCALE



**VERTICAL CURB TAPER DETAIL**  
NOT TO SCALE

Product Ver: 24.0s (LMS Tech)  
 File: P:\BECPC PROJECTS\0036 Longo Architects\09-007 Metuchen\DWG\Site Plans\000369075D2.dwg  
 Date: 02/25/21 10:20 AM By: kheego  
 Plot: P:\BECPC PROJECTS\0036 Longo Architects\09-007 Metuchen\DWG\Site Plans\000369075D2.dwg

THIS PLAN SET IS FOR PERMITTING PURPOSES ONLY AND MAY NOT BE USED FOR CONSTRUCTION

**DYNAMIC ENGINEERING**  
LAND DEVELOPMENT CONSULTING • PERMITTING • GEOTECHNICAL • ENVIRONMENTAL • SURVEY • PLANNING & ZONING

<b>TITLE: CONSTRUCTION DETAILS</b>	
<b>PROJECT: MANASQUAN BANK PROPOSED BANK W/ DRIVE-THRU</b> BLOCK 114, LOTS 24, 25, 26, & 66 429 MAIN STREET BOROUGH OF METUCHEN, MIDDLESEX COUNTY, NEW JERSEY	JOB No: 0036-99-007 DATE: 12/05/2019 DRAWN BY: KJH DESIGNED BY: KCK CHECKED BY: JAP SCALE: (H) AS SHOWN SHEET No: 11 OF 12
<b>KYLE C. KAVINSKI</b> PROFESSIONAL ENGINEER NEW JERSEY LICENSE No. 52985	<b>JOHN A. PALUS</b> PROFESSIONAL ENGINEER NEW JERSEY LICENSE No. 41975

**PROTECT YOURSELF**  
 ALL UTILITIES REQUIRE IDENTIFICATION OF EXISTING UTILITIES. IF ANY UTILITIES ARE NOT IDENTIFIED, THE USER ASSUMES ALL RISK. CALL 811 FOR STATE OPERATED DIRECT PHONE NUMBERS VISIT WWW.CALL811.COM

